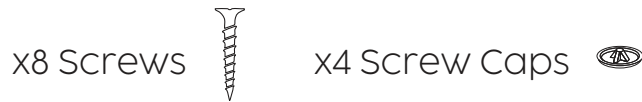
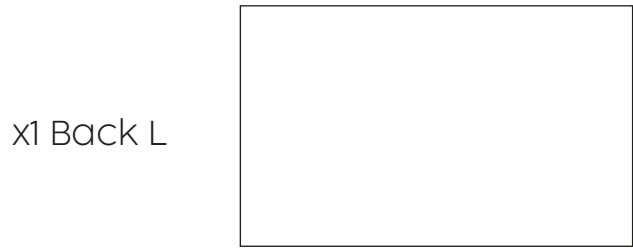
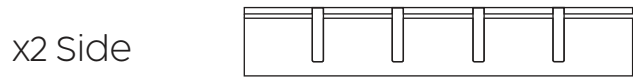
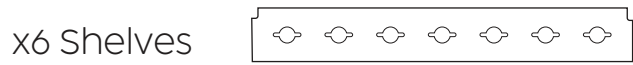
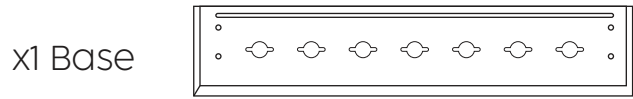
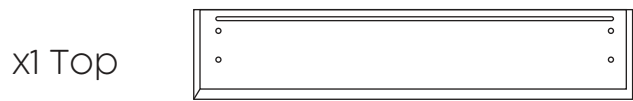
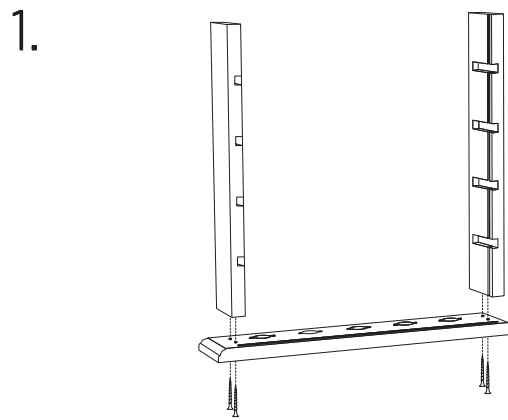
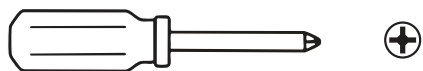


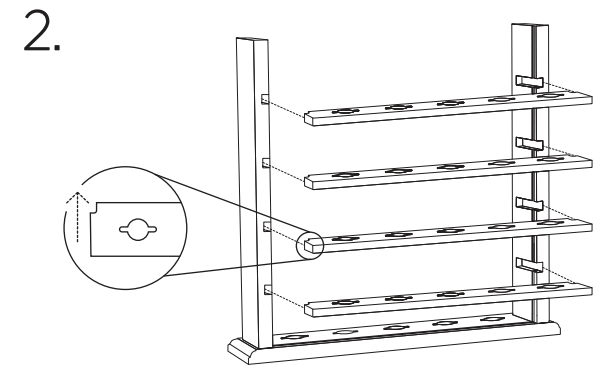
Parts List:



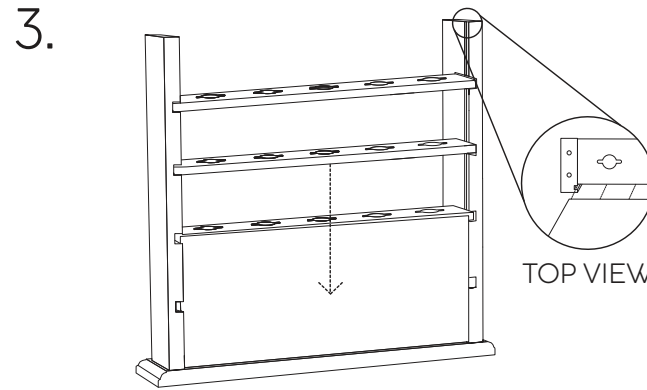
You Will Need:



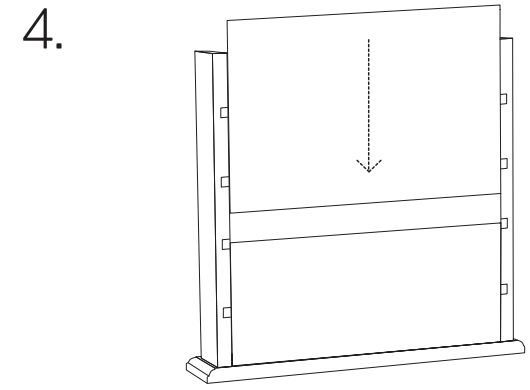
Screw the side panels into the base from underneath.



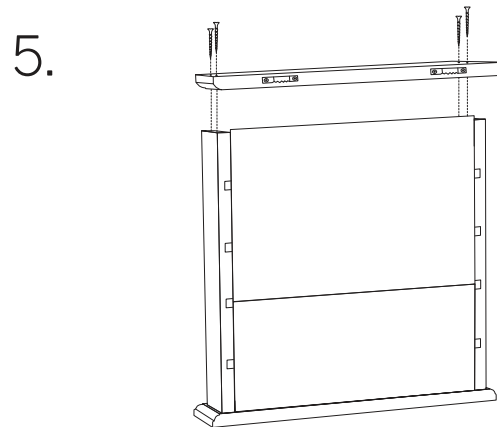
Slide the 6 shelves with curved edges into place, pushing them forward.



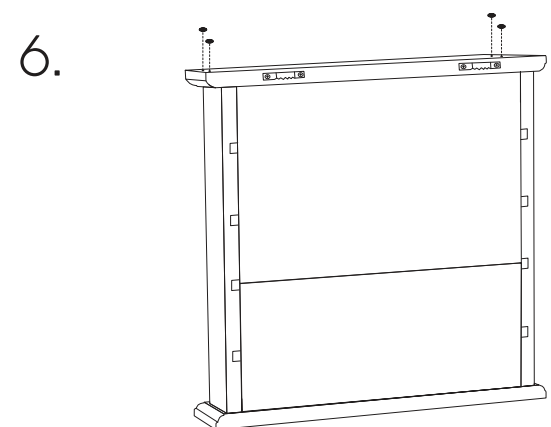
Slot the small back plate down into the rear slot.



Slide the larger back plate down into position.



Screw the top panel on from above.



Place the screw caps over all exposed screws.

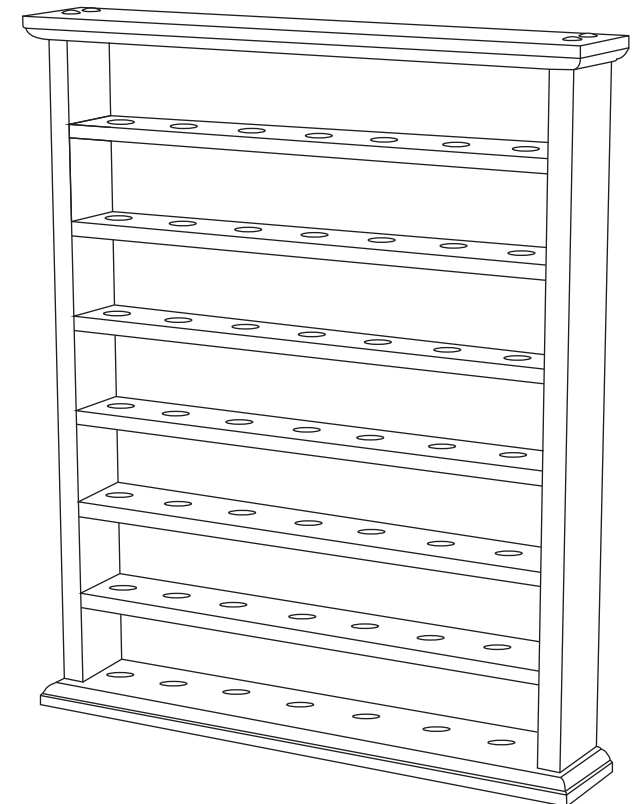


**THANK YOU FOR
YOUR PURCHASE!**

*Assemble.
Display.
Collect.*

LET THE JOURNEY BEGIN.

49 Ball Display Rack Assembly Instructions



WARNING:
CHOKING HAZARD
Small parts not for children under 3 years